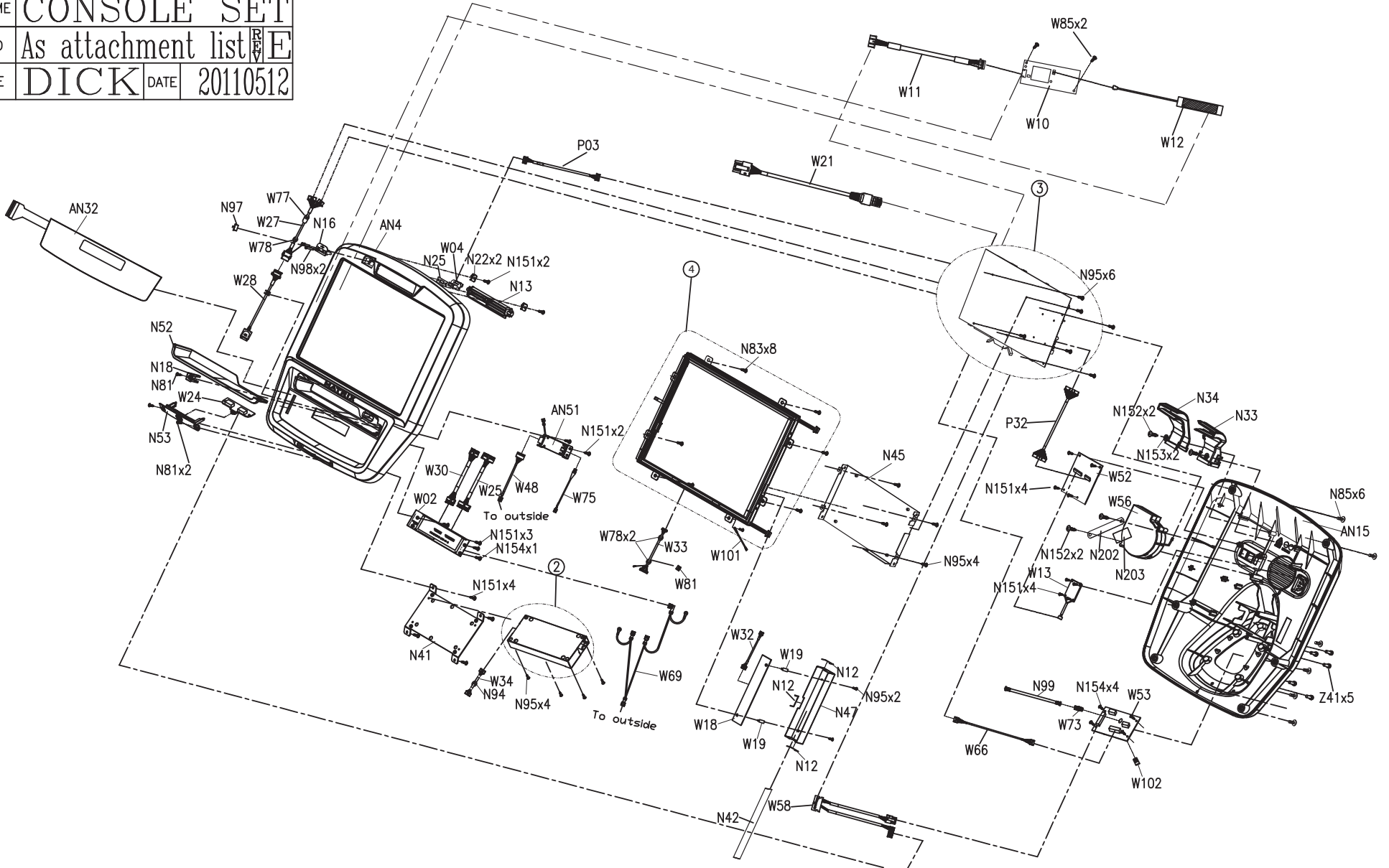
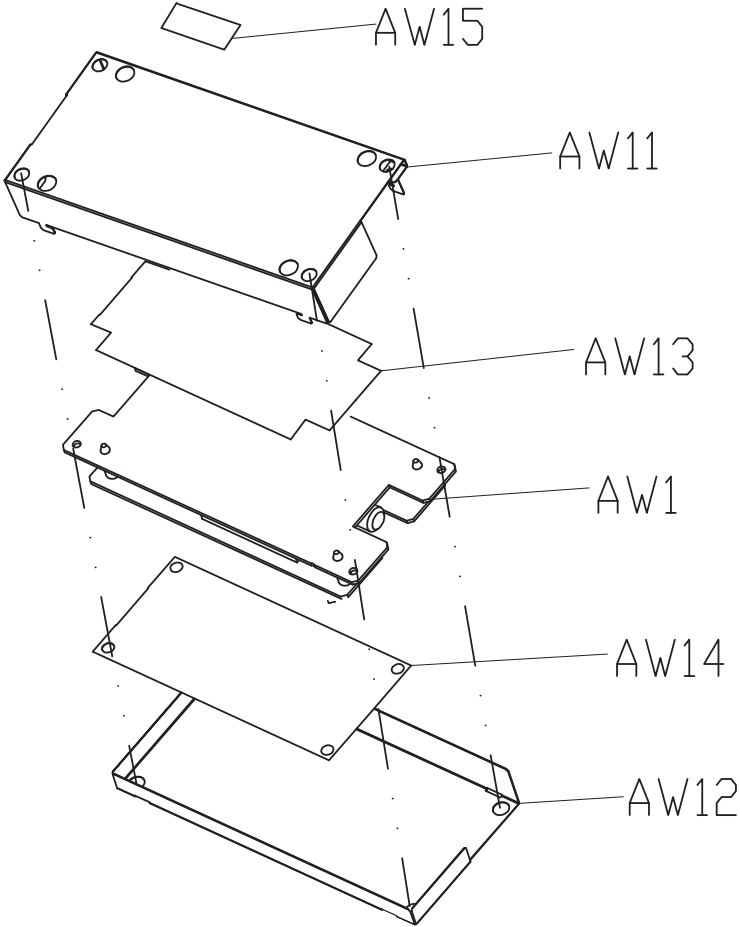


DRAWING NO	EP92F-AN11		
PART NAME	CONSOLE SET		
PART NO	As attachment list 		
APPROVE	DICK	DATE	20110512

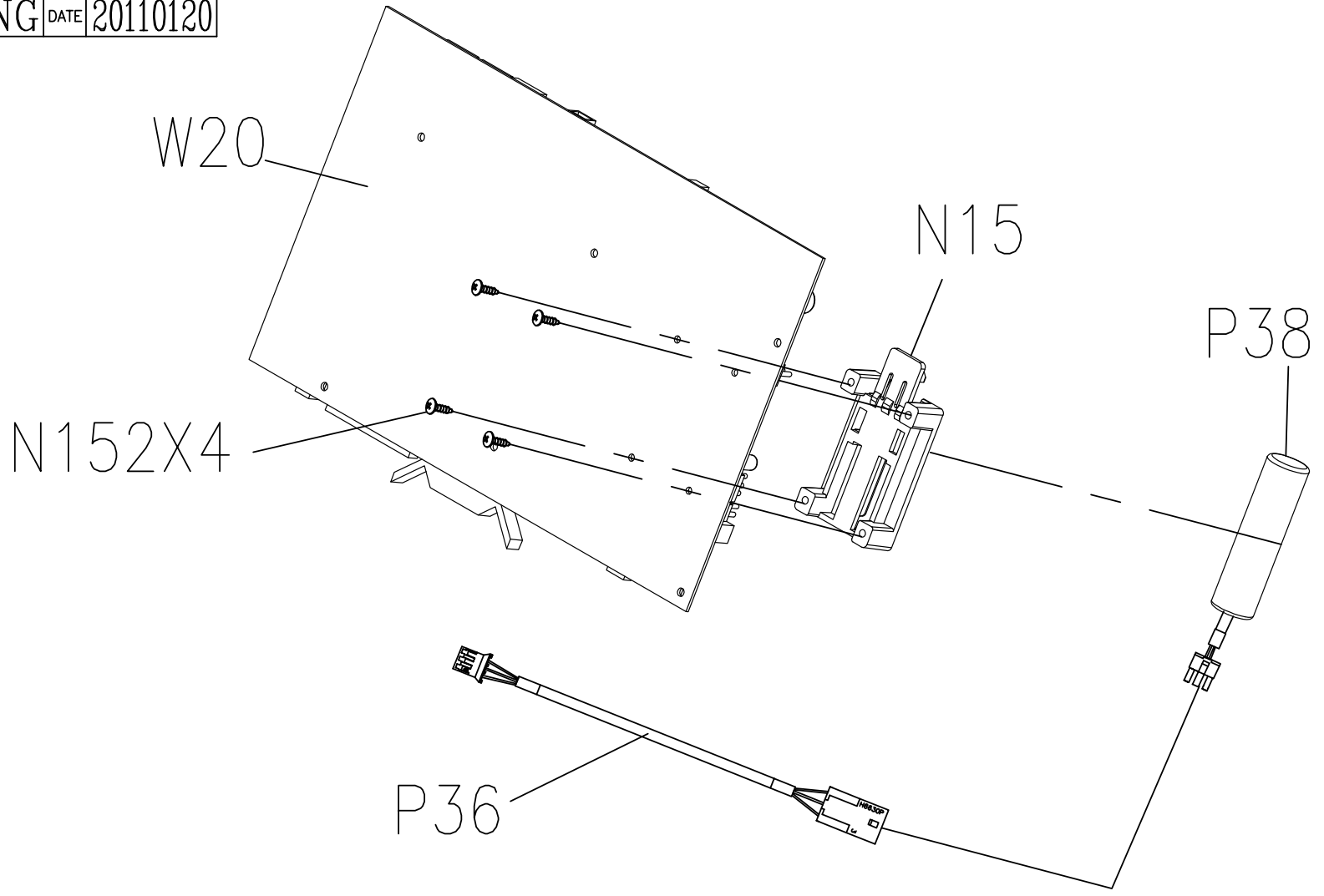


SAP PART NO	LANGUAGE	COMMOND TYPE
0000095288	English	EP92F-US-C

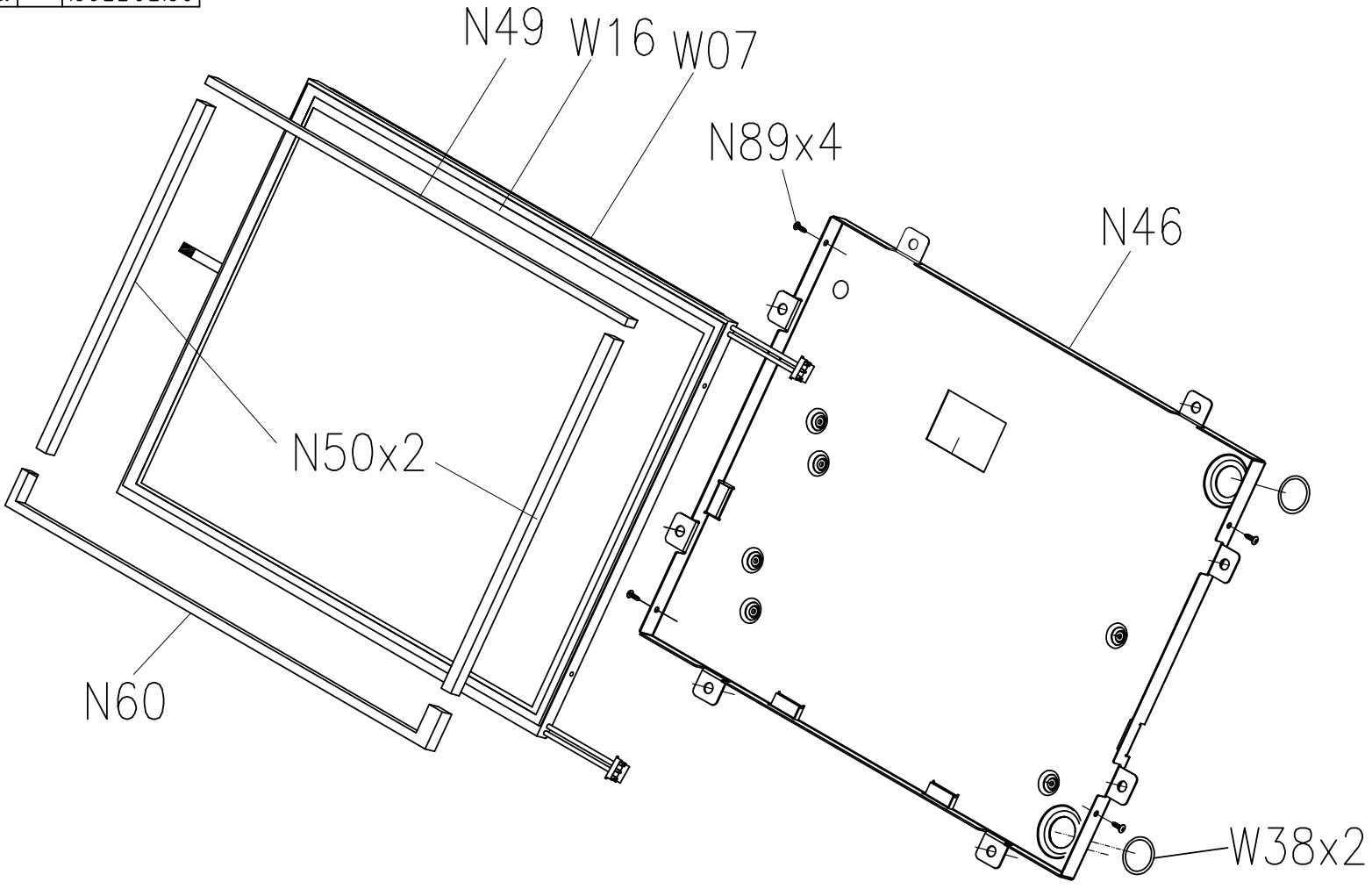
DRAWING NO	TM502-AW31		
PART NAME	TUNER Module Set		
PART NO	As attachment list Ⅱ B		
APPROVE	SHUYI	DATE	09.29.10



DRAWING NO	EP91C-AW32		
PART NAME	CONTROL BOARD SET		
PART NO	0000095289	REV	A
APPROVE	YUTING	DATE	20110120



DRAWING NO	EP92F-AW31		
PART NAME	PANEL BOARD SET;15 INCH TFT LCD		
PART NO	1000208586	REV	A
APPROVE	YUTING	DATE	20110120



Ref#	Part #	Description
	1000329072	IPOD Wire Cover;;;;;;I-POD wire used
2	1000232091	Tuner module set
AN15	1000208238	Cover;Console;Back;Printing;EP
AN32	1000208250	Overlay Set;TV;ENGLISH;EP92F;
AN4	1000208248	Cover;Overlay;15 INCH;PR;OV;EP92F;
AN51	1000208535	Heart Rate Board Set;SALUTRON 8600;EP93C;
N13	0000087056	Vent;Fan;ABS/PA-746;Pantone:877C;TM501;
N15	1000208781	Plastic BASE;U;ABS/PA746;PA:60461;T7x-03
N151	008864-A	Screw;Special;Round;2.9x1.06Px7L(Hi-Lo)
N152	008866-A	Screw;Special;Round;4.0x1.34Px12L(Hi-Lo)
N152	008866-A	Screw;Special;Round;4.0x1.34Px12L(Hi-Lo)
N153	005157-A	Washer;Flat;4.3x12.0x1.0T;Black Zinc
N154	008865-B	Screw;Special;Round;2.9x1.06Px12L(Hi-Lo)
N16	1000210553	USB;EP90B
N18	0000089261	Cover;IPOD Fixing;ABS/PA746;Deep Grey 80
N202	0000092696	Fixing Plate;Fan;0.8t;T5x-02;
N203	0000095575	Tape;Foam;One-Sided;50x15x1.5T;
N22	1000216152	Fan ADJ Plate;SUS304;0.3t;T9000;
N25	1000212322	Shim;Rubber;D;NBR;BLACK;TM507C;
N33	0000086064	Cover;Console;Right;ABS/PA-746;BL;TM501;
N34	0000086065	Cover;Console;Left;ABS/PA-746;BL;TM501;
N41	0000091621	Fix Plate;Tuner;MX-E7X-C;US;EP91
N42	0000088888	insulation Plate;INVETER;PC;8B35;3M-467;
N45	0000086531	Fix Plate;PCB;1.0t;TM502;
N46	0000086532	Fix Plate;15 Inch;0.8t;TM503;
N47	0000086533	Bracket;Isolation Board Cover;0.6t;TM503
N49	0000087846	Foam;Overlay;1;315.5x4.0x1.0t;Rubber/BL;

Notes

Order with **1000346761**

New style tuner. Used in production since 9/7/2012. The new style tuner is backwards compatible. Please see the document "AverMedia Tuner" in Parts Replacement or the video "New TV Tuner Replacement" on the Matrix Fitness YouTube page for replacement instructions.

Order this cover if a console uses an iPod cable. If the console's iPod cable has been removed, order the cover **0000093006**.

N50	0000087847	Foam;Overlay;2;230.5x4.0x1.0t;Rubber/BL;
N52	0000088790	Anti-Slippery Pad;TPR+30%PP;BL;MX-E5XC-F
N53	0000089506	TV Earphone Wire Cover;ABS/PA746;80435
N60	0000087848	Foam;Overlay;3;323.5x4.0x1.0t;Rubber/BL;
N81	0000088743	Screw;TRH;M3x.5Px6L;MT;PH;CST;ZNC;F-T
N83	004627-00	Screw;Phillip;BH;Tapped;5x12L
N85	004385-00	Screw;BH;M5X0.8PX12L;;PH;;BAN;;
N89	020005-00	Screw;Phillip;Round;M3x6L;;Zn-BL
N94	003383-A	Ferrite Choke;FH0900B-2;Lian Ci;TM38
N95	020005-00	Screw;Phillip;Round;M3x6L;;Zn-BL
N97	0000083278	USB Cover;USB-03
N98	1000211294	Screw;FH;M3X0.5PX30L;-;PH;BZN;
N99	069851	Console TV Cable Extended Wire;250L(FM-0086-N

Not Show ZMS4004742 Silicon Plug, 0.25"0.125"0.75" Black

Not Show	0000093006	Cover;IPOD Fixing;ABS/PA746;80435;MX-E5X
Not Show	1000329072	IPOD Wire Cover;,,,,,,;I-POD wire used
Not Show	ZMS4001285	Velcro pads (1 pair) for 900MHZ Receiver
P03	1000210330	Wire;Connect;USB;250(JST,XAP-06V-1)x2;
P32	1000206777	C Safe+TV Connect Wire;200(TKP H20J2-15x
P36	1000207108	Battery Con Wire;200(TKP H110-03S+TKP H6
W02	0000089691	TV Control Board Set;TM503;T7xe;
W04	0000095231	Control Board;USB;H001;U105A5;EP603;
W07	1000224777	15 Inch TFT LCD Module Set;TM503;T7xe;\\ D/C, NO REPL: Part will show as orderable until stock is depleted.
W10	1000228298	MO;WIFI WIRE;TM503F/TM503G/TM502D/TM502E
W101	0000081594	Pulse Wire;150(FDFNYD2-250-1+546BS-2);TM
W102	1000201693	Exchange connectorl; KST DWTSFSOLR;
W11	1000217073	Wire;CONNECT;WIFI;200(JS-1253-06+JST,XAP
W12	1000216927	WIFI Antenna;250(WPB105 MINI 1.13 2.4GHz

After removing the iPod cable, customers may use this plug to seal the hole that is left on the console. Trim the plug to the correct size after fitting in hole. Note: customers may use either the plug or the iPod eliminator cover (0000093006). Per customer request. Note: Cover removes the options for iPod connectivity. To install, disconnect and remove iPod cable from console and conceal input with cover.

W13	0000086684	Speaker Set;AK-402808BC-3T+280+XAP-02;TM	
W18	1000208207	Inverter Board Set;TM503;T7xe;	
W19	010515-00	Copper Pillar;M3x12L	
W20	1000218549	CONTROL BOARD SET;LMM REPLACE;EP92;NON V	
W21	1000217094	Wire;NET;550(TKP,H6630R1-08AMP 569532)	
W24	1000365782	Earphone board set;;;EP91;;	
W25	0000091027	LCM Wire;130L(H6630R1-18)x2	
W27	0000092303	Wire;Ipod;500(JST XADR-16+PAP-06/-10)	
W28	1000353343	Ipod Extend Wire;;;;;;;300(MFI512S0017+	Order 1000329072 (plastic end cap)
W30	0000091028	TV Key Wire;160L(H6630R1-14)x2	
W32	0000085779	Wire;Inverter;310(TKP-H110-05+PAP-04V-S)	
W33	0000085415	Wire;15 Inch TFT LCD;410(HRS DF14H-20P+D	
W34	0000092145	Signal Wire;Tuner;350L(PAP-12V-Sx2)	
W38	0000086852	Rubber Ring;GM-5	
W48	1000206790	Hand Pulse Sensor Wire;350L(2510A-06,TKP	
W52	0000095247	C-Safe;E LEAD;3P00DMJE001-0A;EP92F;	
W53	1000207029	Control Board;H001;COATING;EP93C;	
W56	061339-B	Fan;DC12V/0.3A PMB1297PYB3-AY;EP70	
W58	1000230082	QUICKLY CONNET WIRE;200+250(TKP,H254M2-2	
W66	1000206779	Console Cable;250(MOLEX,50-57-9408+MOLEX,	
W69	0000092381	Console Ground Wire;130+220+250(KST FDFN	
W73	065248-A	TV Coax Adaptor;Female;F-A028-NBX7-C	
W75	0000092217	Heart Rate Power Wire;250L(2510A-03+XAP-	
W77	003386-A	Ferrite Core;T31x16x19-C	
W78	0000090551	Ferrite Choke;FH0850B;T7xe;	
W81	001679-00	Tie Strap;Adhesive;Nylon;66;HC-101;W	
W85	0000092776	Screw;Phillip;Round;M2x0.5Px8L;Adhere;	
Z41	0000087672	Screw;Hex Socket;Round;M5x0.8Px8L	

1	ZMF4001419	Refurbished C7xe Console Set	iPod cable has been removed and replaced with a cover. LAM style console - suitable to replace LAM or LMM style console.
1	ZMF4001422	Refurbished C7xe,WiFi/10 pk VA	iPod cable has been removed and replaced with a cover. LAM style console - suitable to replace LAM or LMM style console.

1	ZMF4001423	Refurbished C7xe, WiFi/20 pk VA	iPod cable has been removed and replaced with a cover. LAM style console - suitable to replace LAM or LMM style console.
1	ZMF4001420	Refurbished C7xe, 20 pk VA	iPod cable has been removed and replaced with a cover. LAM style console - suitable to replace LAM or LMM style console.
1	ZMF4000335	Refurbished C7xe,WiFi	iPod cable has been removed and replaced with a cover. LAM style console - suitable to replace LAM or LMM style console.
3		Order Parts Separ UCB Set;EP92F	
4		Order Parts Separ Panel Board Set;15 INCH TFT LCD;EP92F	
AW1	Part of Kit 2	Tuner Module Set;A+D ATSC TV;US;H2.0/S20	
AW11	Part of Kit 2	Isolation Plate;UPPER;Tuner;SUS430;0.3t;	
AW12	Part of Kit 2	Isolation Plate;UNDER;Tuner;SUS430;0.3t;	
AW13	Part of Kit 2	Insulation Plate;UPPER;PC;0.254t;T7xe;	
AW14	Part of Kit 2	Insulation Plate;UNDER;PC;0.254t;T7xe;	
AW15	Part of Kit 2	Special Decal;Tuner;	
N12	0000089486	Bushing;KSS Moveable;KG-008;10M/Reel;	Discontinued
Not Show	ZMS4000947	ASCENT TRAINER - Virtual Active Board Kit (10 Map Pack)	
Not Show	ZMS4000948	BIKES - Virtual Active Board Kit (10 Map Pack)	
Not Show	ZMS4000949	EP / STEPPER - Virtual Active Board Kit (10 Map Pack)	
Not Show	ZMS4001139	Ascents/EP/Stepper-Virtual Active Board Kit (20 Map Pack)	
Not Show	ZMS4001140	Bikes-Virtual Active Board Kit (20 Map Pack)	
Not Show	ZMS4001266	Connection Cable for 900MZ Wireless Modu	
P38	1000207104	LI Battery;2200MA/H;EP606;	
W16	Part of W07	Backlight Panel;TOUCH PANEL;	
2	0000089690	Tuner Module Set	Discontinued
N22	0000080710	Fan Adjustment Plate;SUS304 0.3t;TM98-N11C;	Discontinued
W02	0000085409	Control Board;TV;U07AB4-H001;TM503;Coati	Discontinued
W10	1000216928	Control Board;WIFI MODULE Set;LR802UKN3;	Discontinued
W20	1000208588	Control Board;15 INCH;LMM;H001;GUI3.0;OS	Replaced by 1000218549
W24	1000363348	Earphone board set;;;Service for mainten	Discontinued
W24	0000094434	Ear Phone Board Set	Discontinued
W28	1000346761	Ipod Extend Wire;;;;;;;175(APPLE MFI5120	Discontinued - Order 1000329072 (plastic end cap)

W28	0000085414	EXT Wire Ipod;175(APPLE MF1517-0433+JST	Discontinued - Order 1000329072 (plastic end cap)
W58	1000208556	Wire;QUICK CONNECT;200x2(TKP,H254M2-2x10	Discontinued